

3~6 SCC | 衛生級濾芯機

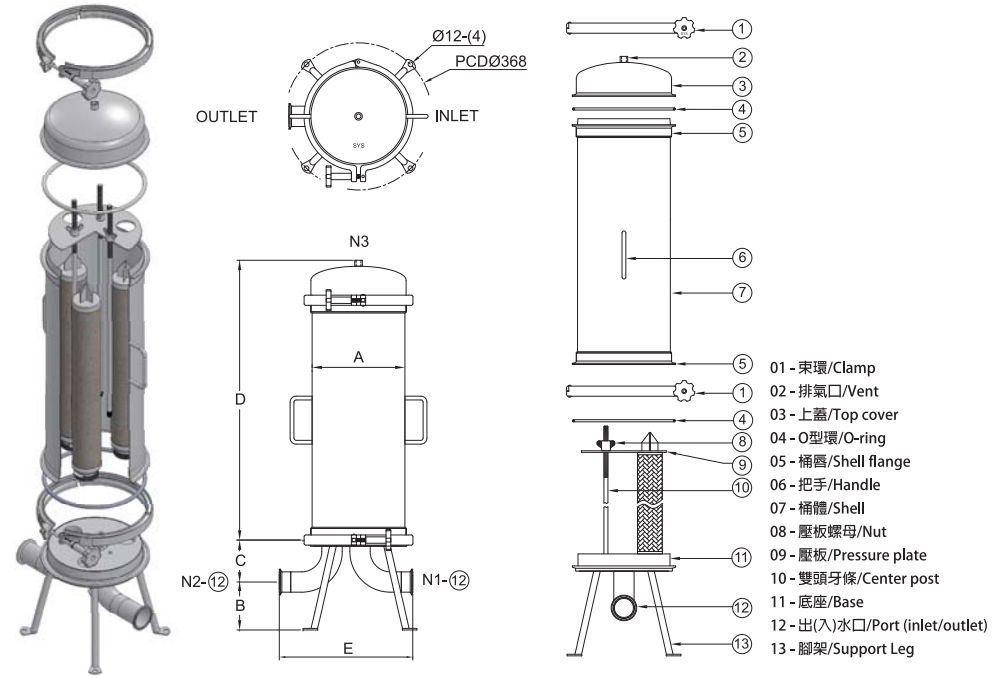
3~6 Pieces Sanitary Cartridge Filter Housing



設計壓力 / Design P. **10 kg/cm²** 操作壓力 / Operating P. **7 kg/cm²**

設計溫度 / Design T. **100°C** 操作溫度 / Operating T. **75°C**

選購配件 / Accessory **各式濾芯 / Cartridges**



- 01 - 束環/Clamp
- 02 - 排氣口/Vent
- 03 - 上蓋/Top cover
- 04 - O型環/O-ring
- 05 - 桶體/Shell flange
- 06 - 把手/Handle
- 07 - 桶體/Shell
- 08 - 壓板螺母/Nut
- 09 - 壓板/Pressure plate
- 10 - 雙頭牙條/Center post
- 11 - 底座/Base
- 12 - 出入水口/Port (inlet/outlet)
- 13 - 腳架/Support Leg

| 型式 Model | Length of Cartridge | A m/m | B m/m | C m/m | D m/m | E m/m | M ³ /Hr | GPM | 重量 weight | 容量 Volume | 備註 |
|-------------|------------------------|----------|----------|----------|----------|----------|--------------------|--------|--------------|--------------|-------------------|
| 3~6SC1 | 10" | Ø232 | 120 | 105 | 450 | 332 | 3~6 | 15~30 | 21kg | 14L | Double clamp type |
| 3~6SC2 | 20" | Ø232 | 120 | 105 | 700 | 332 | 6~12 | 30~60 | 26kg | 24L | Double clamp type |
| 3~6SC3 | 30" | Ø232 | 120 | 105 | 950 | 332 | 9~18 | 45~90 | 29.5kg | 35L | Double clamp type |
| 3~6SC4 | 40" | Ø232 | 120 | 105 | 1200 | 332 | 12~24 | 60~120 | 33kg | 45L | Double clamp type |

2"夾接規格
For 2" Sanitary clamp
濾芯僅選購
Filter element for optional purchase.

產品訂購編號

| SC | 4 | J | 50 | E | 3 | 30 | MF | C | C |
|---------------------------|--|--|--|--------------------------|----------------------------------|----------------------------------|--|--|------------------------------------|
| 產品代碼 Product Code | 材質 Material | 出入口類型 In & Outlet Type | 出入口規格 In & Outlet Size | O型環材質 O-ring Material | 濾芯支數 QTY of Cartridge | 濾芯尺寸 Length of Cartridge | 濾芯 Cartridge | 內表面處理 Interior surface finished | 外表面處理 Exterior surface finished |
| 4-304 6-316 6L-316L | 10K - JIS 150 P - ANSI PN10 - DIN J - Clamp PF - PTF BF - BSPF NF - NPTF | 15 - 1/2" 20 - 3/4" 25 - 1" 40 - 1-1/2" 50 - 2" 65 - 2-1/2" | E - EPDM V - Viton S - Silicone TS - Teflon + Silicone | 3 - 6 | 10 - 10" 20 - 20" 30 - 30" | MF - DOE M5 - 222 M7 - 226 | C - 拋光 Polishing D - 電解拋光(EP) Electrolyze & Polishing | C - 拋光 Polishing D - 電解拋光(EP) Electrolyze & Polishing | |